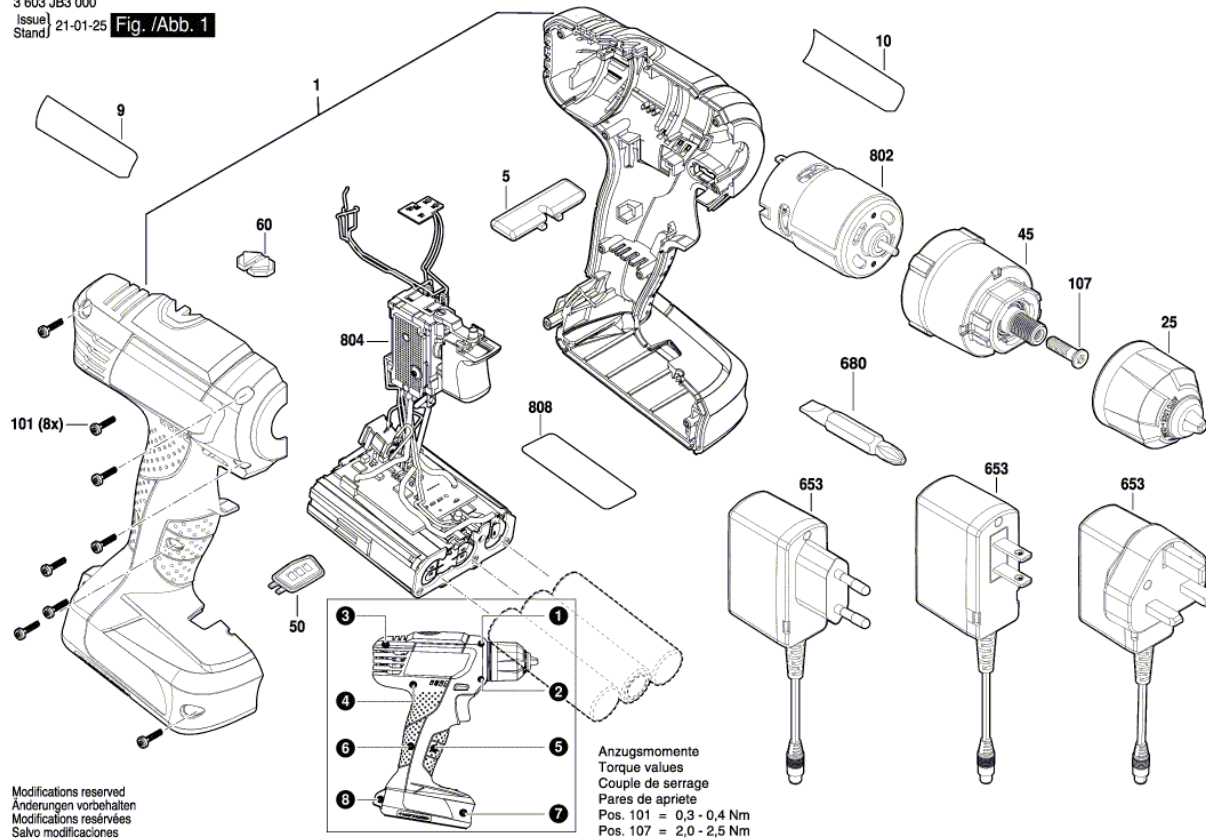


Illustration - Type - E

3 603 JB3 000
 Issue/Stand | 21-01-25 | Fig./Abb. 1



Spare parts list

Item	Part Number	Description	Illustration
1	1 605 806 5AH	Housing	1
5	1 600 A00 HA6	Change-Over Switch	1
9	1 601 11C 0TP	Manufacturer's nameplate EasyDrill 12	1
10	1 601 11C 0TR	Manufacturer's nameplate EasyDrill 12	1
25	2 609 111 930	Chuck	1
45	1 600 A00 N7B	Gear Box	1
50	1 600 A00 HD0	Led-Holder	1
60	1 600 A00 HC9	Lens	1
101	2 609 110 361	Screw	1
107	2 609 110 804	Countersunk-Head Screw	1
653	1 600 A01 P1P	Charger EU 230/12V	1
653	1 600 A01 P2B	Charger GB	1
653	1 600 A01 P2C	Charger J	1
680	2 609 160 063	Screwdriver Bit	1
802	1 600 A00 XH3	Motor assembly	1
804	1 600 A01 P3E	Electronic Assembly	1
808	1 601 11A 6UZ	Nameplate	1